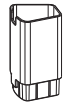


A (x1)

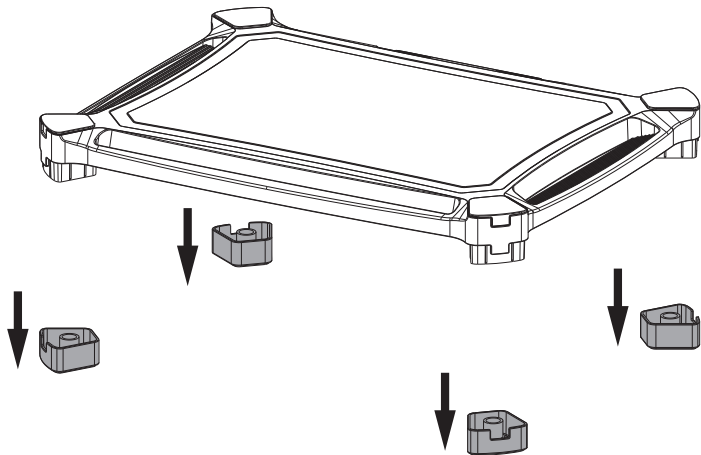
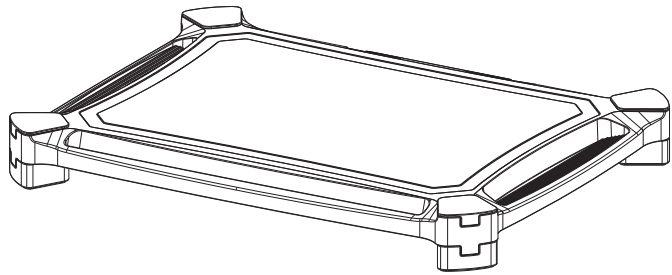


B (x8)



C (x4)

1



2

