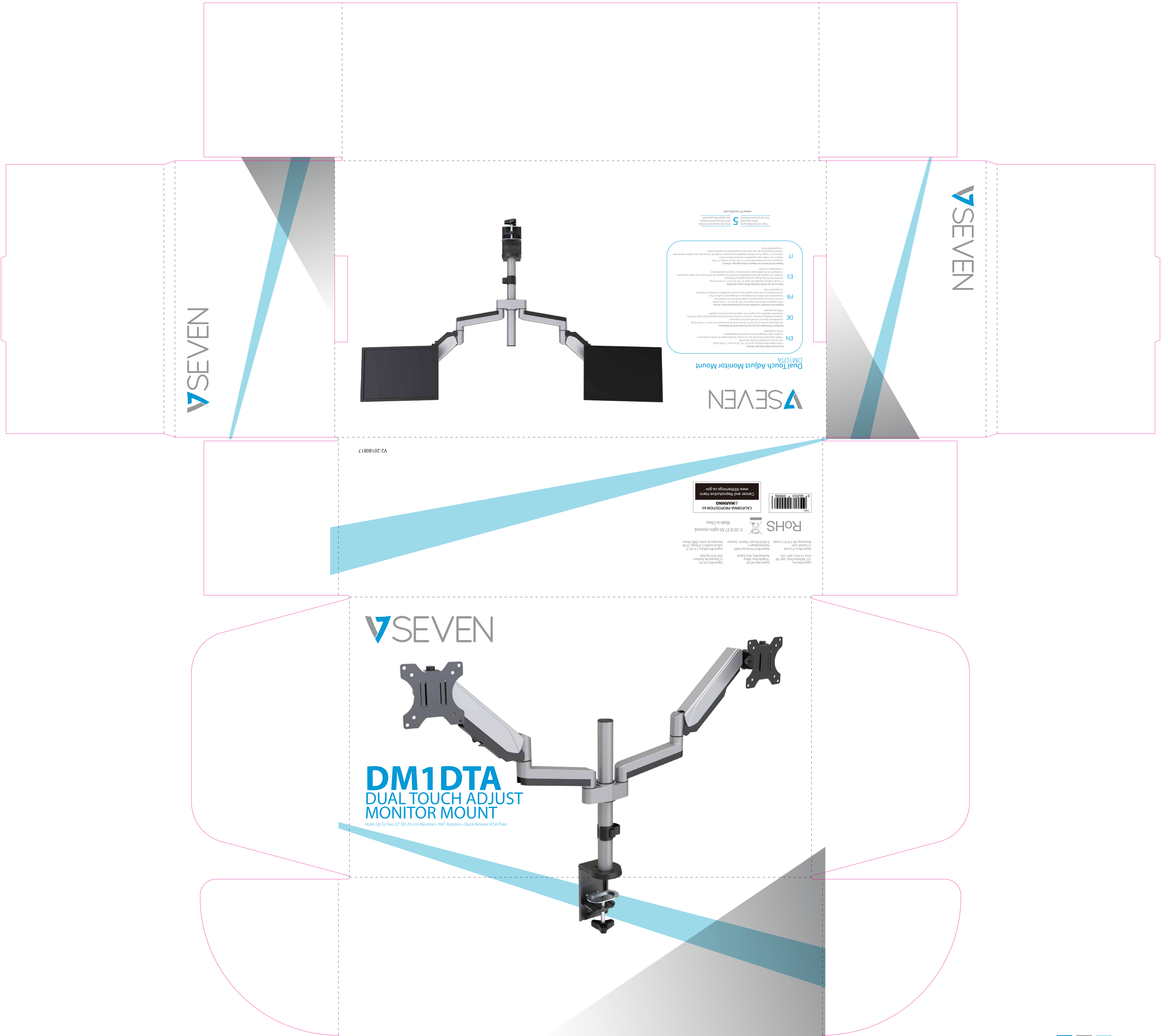
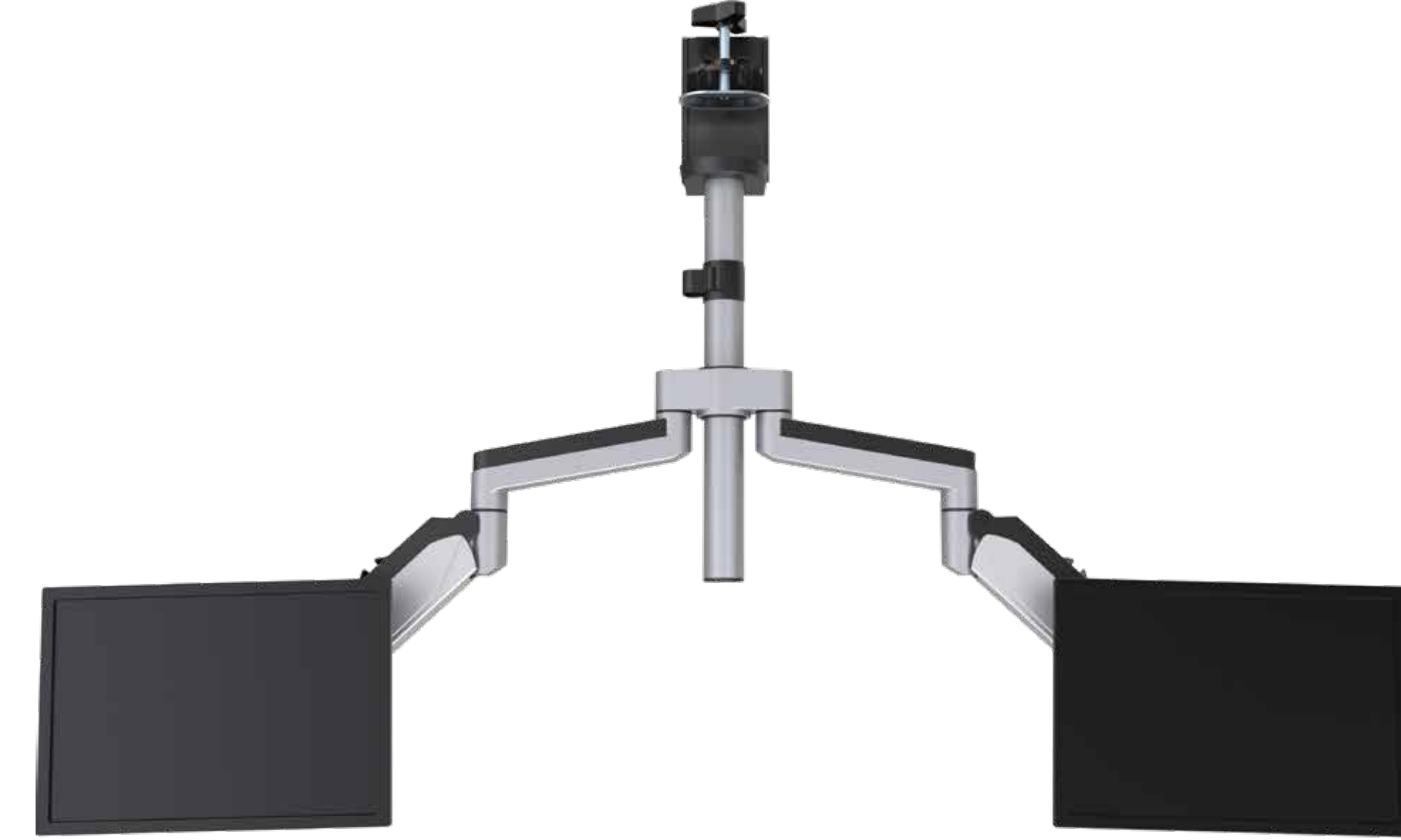


400x225x130mm



SEVEN



EN: This product is designed to hold up to two 32" (81.28 cm) monitors with a weight of up to 11.33 lbs (5.14 kg) each. The maximum weight capacity is 22.66 lbs (10.28 kg) total. The product is not intended for use in high-traffic areas or where it may be subjected to excessive force or impact. The product is not intended for use in environments where it may be exposed to moisture, dust, or other environmental factors. The product is not intended for use in environments where it may be exposed to extreme temperatures. The product is not intended for use in environments where it may be exposed to electromagnetic interference (EMI) or radio frequency interference (RFI). The product is not intended for use in environments where it may be exposed to static electricity. The product is not intended for use in environments where it may be exposed to other environmental factors that may affect its performance or safety. The product is not intended for use in environments where it may be exposed to other environmental factors that may affect its performance or safety. The product is not intended for use in environments where it may be exposed to other environmental factors that may affect its performance or safety.

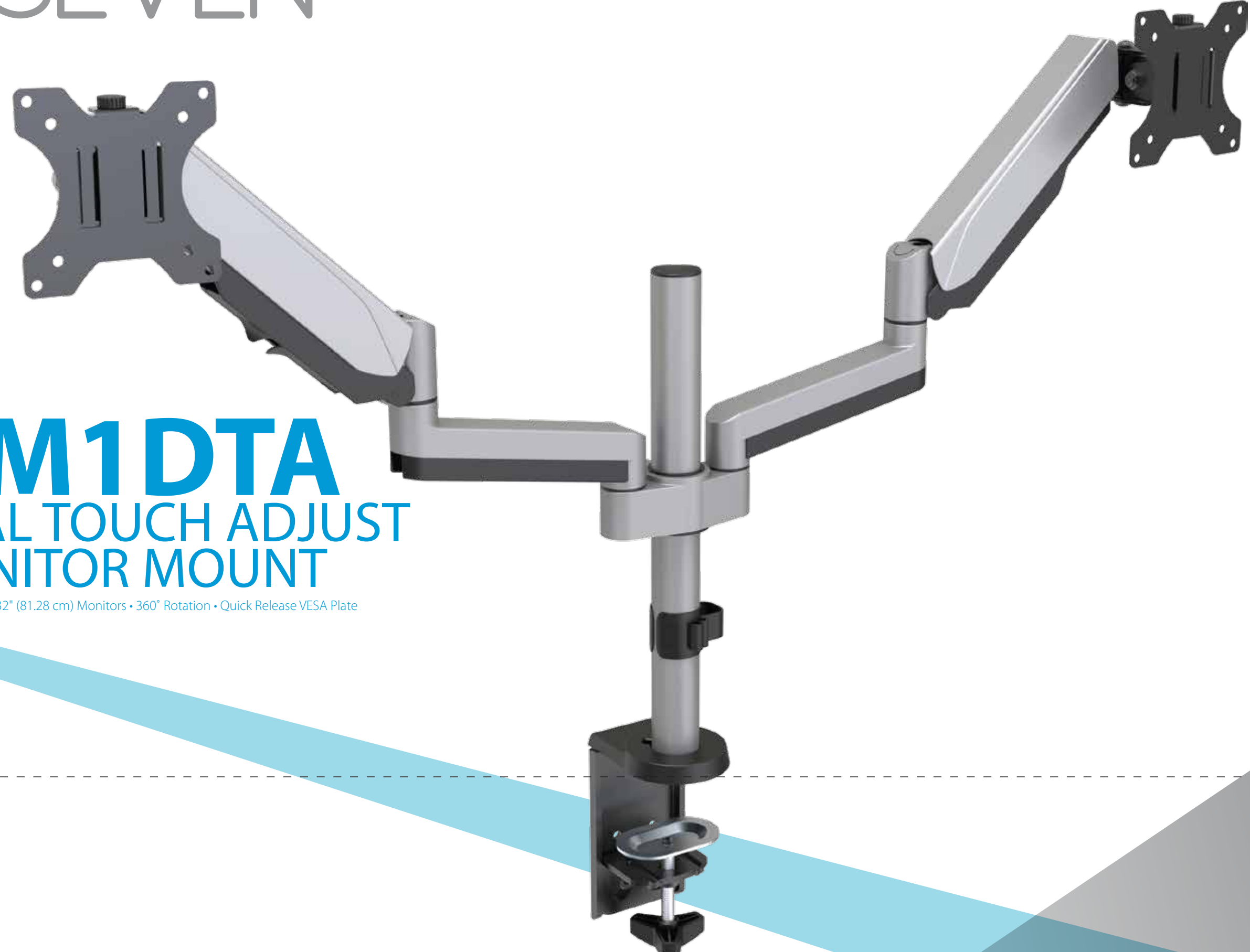
Dual Touch Adjust Monitor Mount
DM1DTA

SEVEN

VZ-20180817

RoHS
© 2018 V7 All rights reserved.
Made in China
CALIFORNIA PROPOSITION 65
Warning: This product contains chemicals known to the State of California to cause cancer or reproductive harm.
www.sevenusa.com

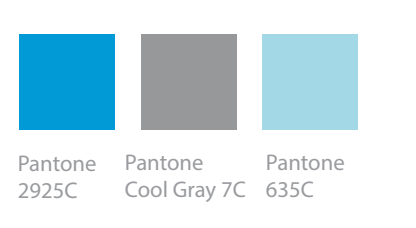
SEVEN



DM1DTA
DUAL TOUCH ADJUST
MONITOR MOUNT

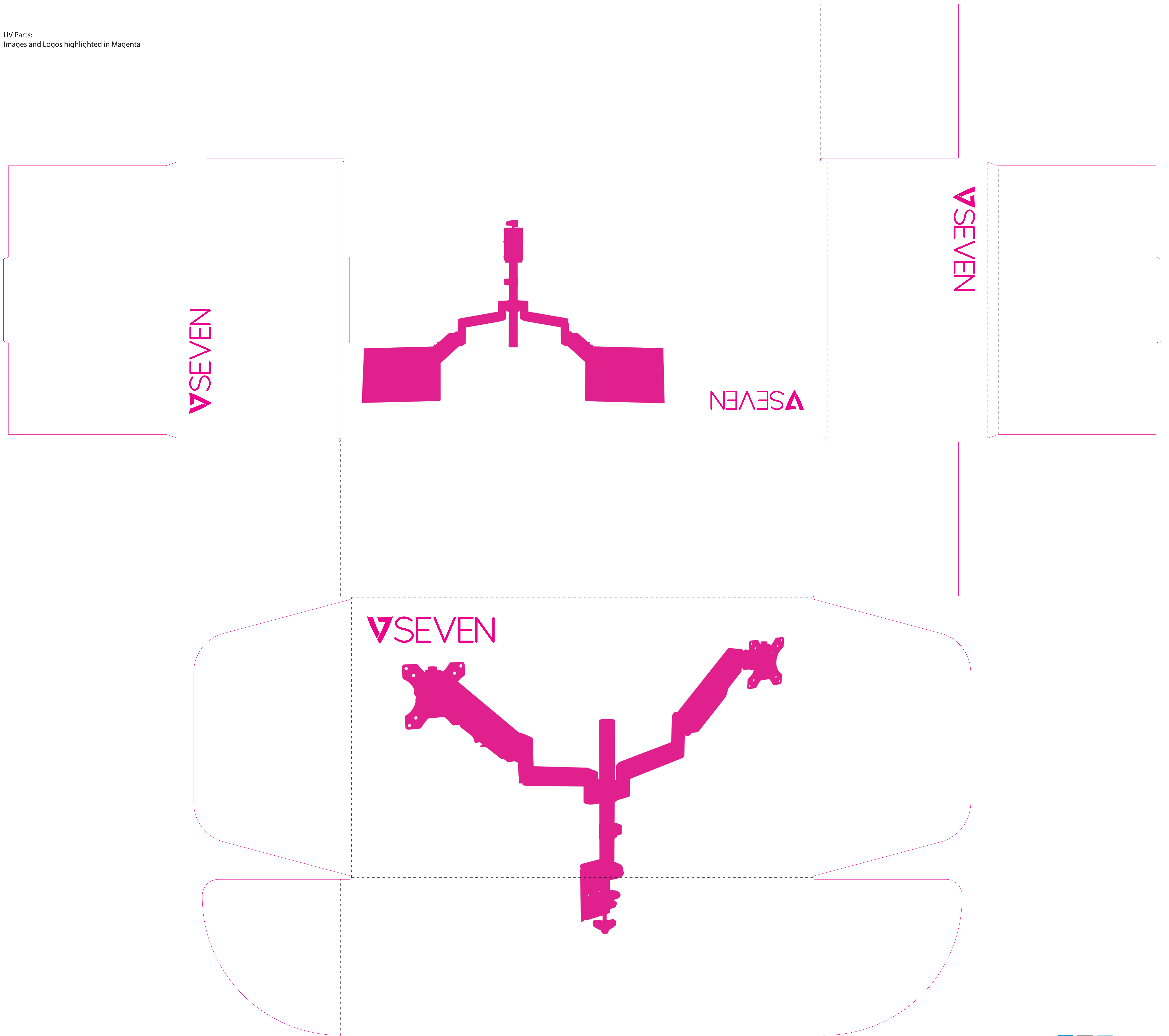
Holds Up to Two 32" (81.28 cm) Monitors • 260° Rotation • Quick Release VESA Plate

Matte finish
UV Layer on Images and Logos



400x225x130mm

UV Parts:
Images and Logos highlighted in Magenta



Matte finish
UV Layer on Images and Logos

